

EDGE SANDING MACHINE UNICO



# Spare Parts

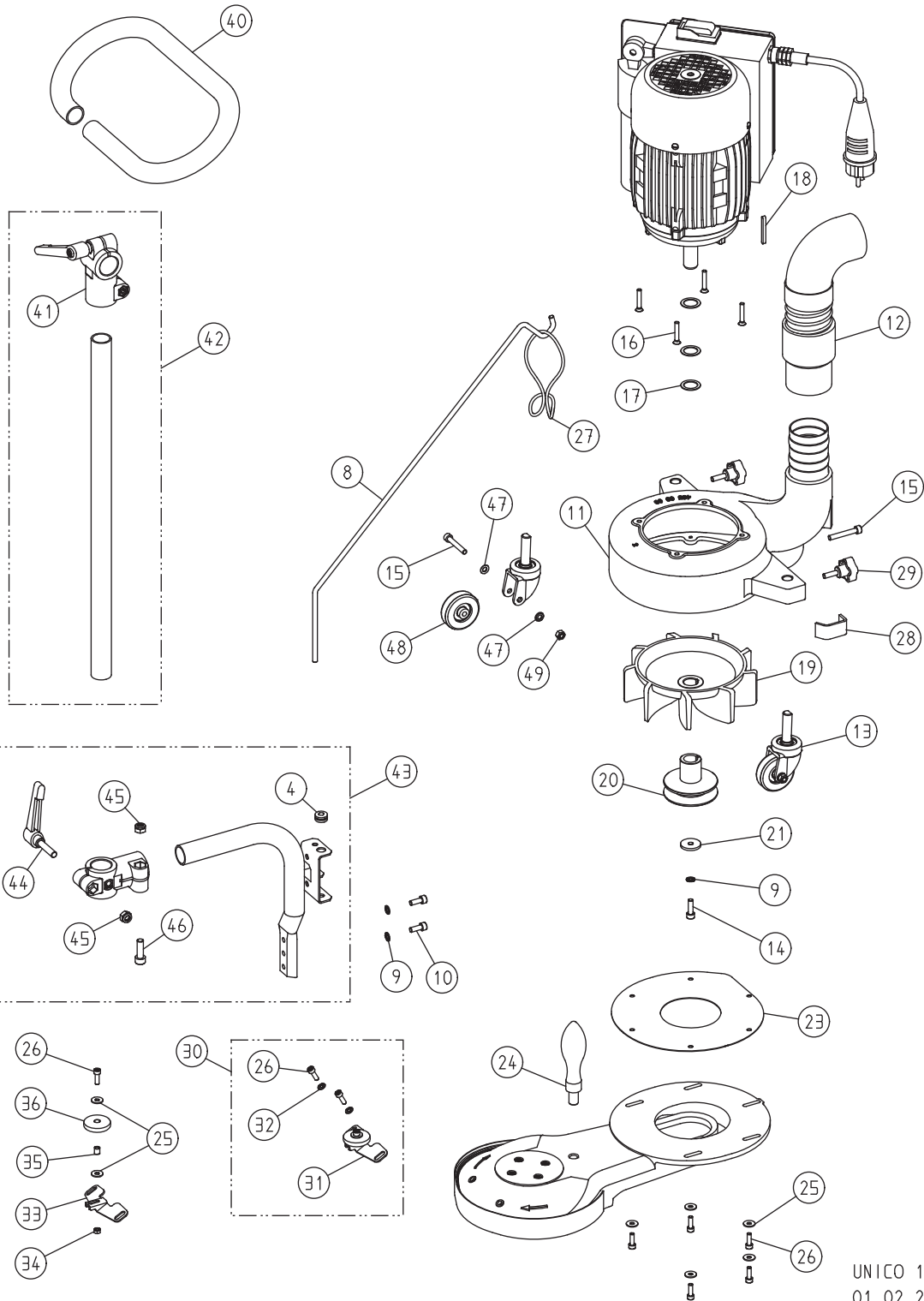
for the edge sanding machine

## UNICO

**Lägler**®

WORLD LEADERS IN FLOOR  
SANDING TECHNOLOGY

SPARE PARTS

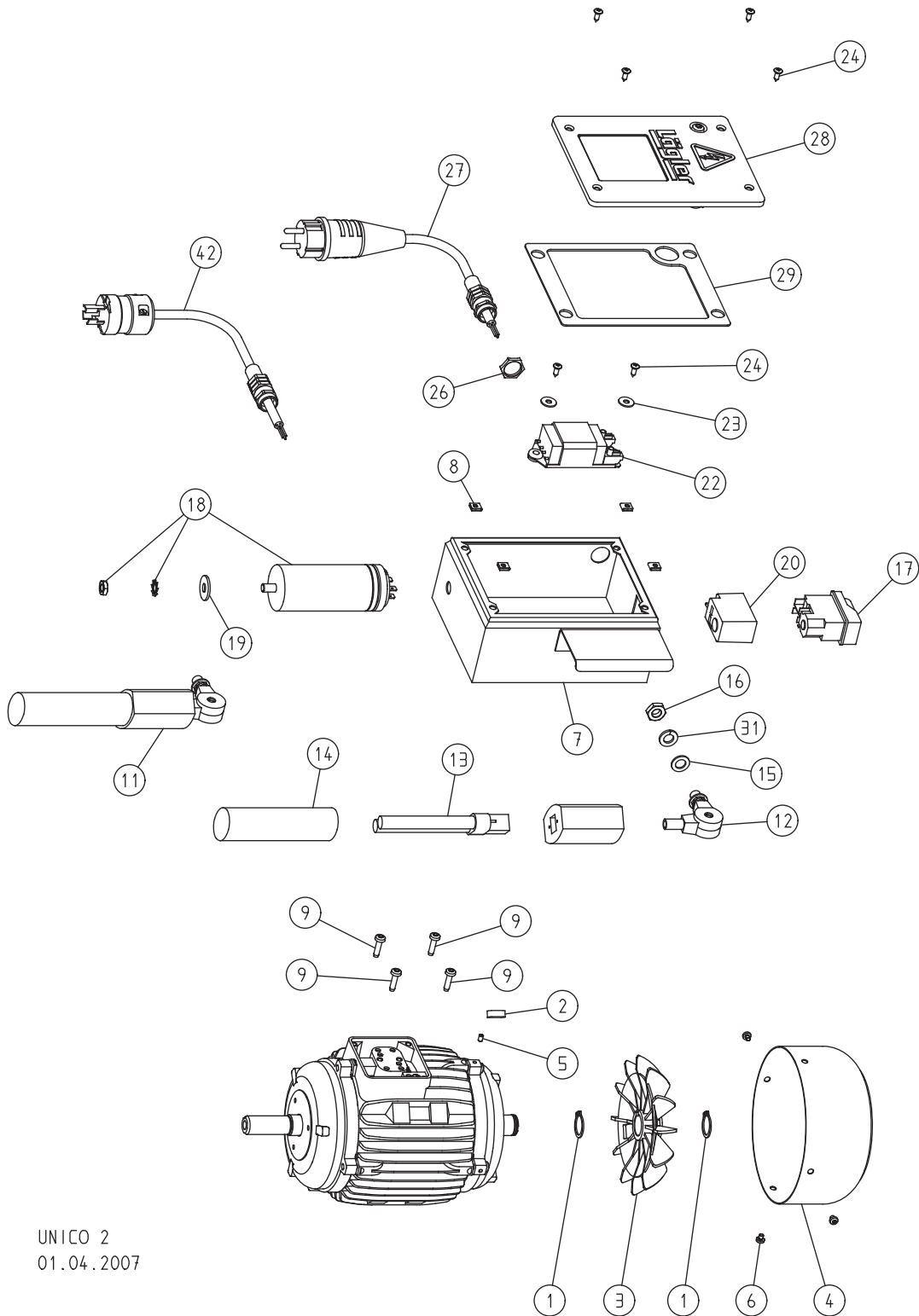


UNICO 1  
01.02.2005

## SPARE PARTS

Item	Article no.	Description
4	000.63.12.071	Grommet LA7
8	465.20.26.100	Cable support, complete
9	6797.1006.000	Toothed lock washer
10	0912.1006.016	Hexagon socket screw
11	465.08.00.100	Fan housing incl. pipe
12	465.14.00.105	Pressure hose
13	465.05.00.200	Guiding wheel, complete
14	0912.1006.020	Hexagon socket screw
15	0912.1006.940	Hexagon socket screw
16	7500.1005.830	Countersunk screw
17	0988.0018.010	Shim
18	6885.0404.040	Key
19	465.08.02.100	Fan wheel
20	465.65.06.100	Motor belt pulley
21	000.10.10.061	Lock washer
23	465.08.10.105	Intermediate sheet-metal plate
24	000.20.30.121	Machine handle
25	9021.1005.000	Washer
26	0912.1005.016	Hexagon socket screw
27	000.01.40.011	Strain relief ring
28	465.08.21.105	Protective felt
29	000.20.25.065	Star grip
30	465.60.00.100	Wall-protecting wheel incl. bracket, complete
31	465.60.10.100	Wall-protecting wheel incl. bracket
32	0125.1005.000	Washer
33	465.60.01.100	Bracket for wall-protecting wheel
34	0934.1005.000	Hexagon nut
35	000.43.15.052	Bushing
36	465.60.02.100	Wall-protecting wheel
40	465.20.08.200	Handlebar
41	465.20.04.100	Angle-clamping connector
42	465.20.31.200	Extension long, complete
	465.20.30.200	Extension long, incl. handlebar
43	465.20.10.200	Pipe bend, complete
44	000.20.40.084	Clamping lever
45	0980.1008.000	Nut
46	0912.1008.025	Hexagon socket screw
47	0125.1006.000	Washer
48	465.05.09.105	Wheel
49	0980.1006.000	Nut

SPARE PARTS

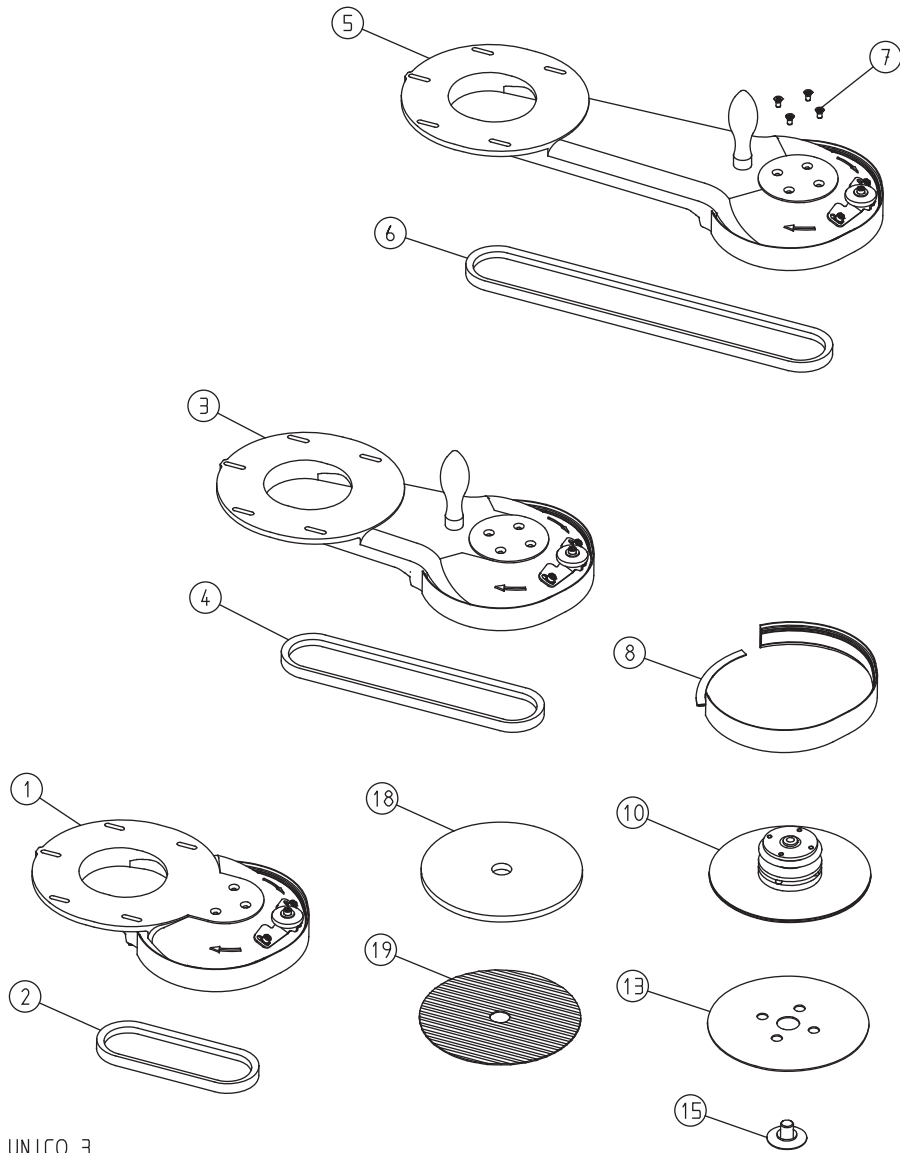


UNICO 2  
01.04.2007

## SPARE PARTS

Item	Article no.	Description
1	0471.0020.000	Circlip
2	6885.0606.018	Key
3	900.65.08.100	Fan blade
4	900.65.09.100	Fan cover
5	0913.0004.006	Grub screw
6	7985.1004.805	Lens head screw
7	465.65.40.100	Switchbox incl. snap-on nuts
8	000.50.10.109	Snap-on nut
9	7500.1005.020	Lens head screw
11	465.63.01.105	Working lamp, complete
12	465.63.20.105	Joint
13	465.63.11.105	Fluorescent tube
14	465.63.12.105	Fluorescent lamp tube
15	0433.1010.000	Washer
16	0439.1010.010	Hexagon nut
17	000.65.60.256	Switch 230 V / 50 + 60 CPS
	000.65.60.156	Switch 115 V / 50 + 60 CPS
18	000.65.10.031	Capacitor
	000.65.10.131	Capacitor, USA
19	9021.1008.000	Washer
20	000.65.62.150	Dust cap for rocker switch
22	465.63.52.105	Ballast, 230 V / 50 CPS
	465.63.62.105	Ballast, 220 + 230 V / 60 CPS
	465.63.51.105	Ballast, 110 V / 50 CPS
	465.63.61.105	Ballast, 110 + 120 V / 60 CPS
23	9021.1005.000	Washer
24	7983.1042.013	Sheet metal screw
26	000.68.60.113	Lock nut
27	000.65.43.151	Motor cable 3 x 1.5 mm <sup>2</sup>
28	900.65.47.100	Cover incl. seal
29	465.65.48.105	Cover seal
31	0127.1010.000	Spring washer
42	000.65.43.153	Motor cable 3 x 1.5 mm <sup>2</sup> , USA

SPARE PARTS

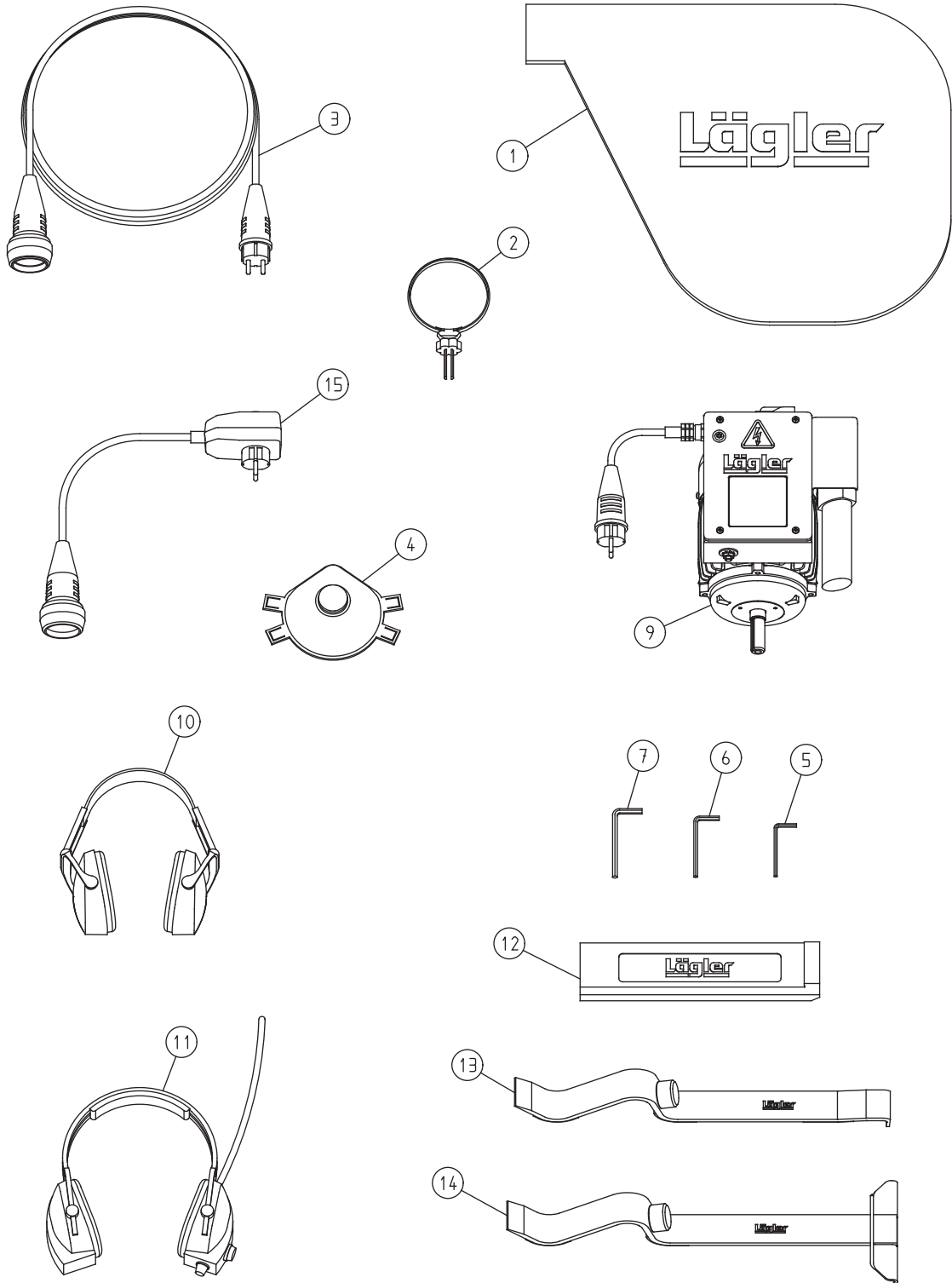


UNICO 3  
28.04.2003

## SPARE PARTS

Item	Article no.	Description
1	425.01.01.200	Attachment 105 mm
2	000.71.25.041	V-belt 13 x 407
	425.01.00.200	Attachment 105 mm, complete
3	445.01.01.200	Attachment 230 mm
4	000.71.25.065	V-belt 13 x 650
	445.01.00.200	Attachment 230 mm, complete
5	465.01.01.200	Attachment 350 mm
6	000.71.25.090	V-belt 13 x 900
	465.01.00.200	Attachment 350 mm, complete
7	0965.1005.810	Countersunk screw
8	465.01.52.100	Sealing set for attachments
	465.01.51.105	Velcro sealing tape (50-m roll)
10	465.01.91.200	Steel sanding disc wheel, complete
13	465.02.12.205	Velcro disc 177 mm
	465.02.06.105	Felt disc 178 / 3 mm, self-adhesive
15	465.02.05.100	Sandpaper tensioning screw
18	9.612.183.020	Edge-sanding pad UNICO as sanding grid base pad or polishing pad
19	9.412.183.100	Sanding grid pad UNICO grain size 100

SPARE PARTS



UNICO 4  
01.04.2007



## SPARE PARTS

Item	Article no.	Description
1	465.00.80.105	Dust bag UNICO
2	000.01.40.110	MultiClip
3	000.65.53.151	Extension cable 3 x1.5 mm <sup>2</sup> , 10 m long
4	000.01.20.010	Protective mask P3
5	000.93.11.041	Allen key 4 mm
6	000.93.11.051	Allen key 5 mm
7	000.93.11.061	Allen key 6 mm
9	465.65.00.100	Motor new, 230 V / 50 CPS
	466.65.00.100	Motor new, 230 V / 60 CPS
	464.65.00.100	Motor new, 120 V / 50 CPS
	468.65.00.100	Motor new, 120 V / 60 CPS
	467.65.00.100	Motor new, 220 V / 60 CPS, USA
	469.65.00.100	Motor new, 110 V / 60 CPS, USA
10	000.01.10.021	Ear muffs POCKET incl. bag
11	000.01.10.011	Ear muffs MUSIM UFF incl. radio
12	701.10.00.100	Polyamide impact block IFR
13	702.00.00.200	Parquet laying tool ZUGEISEN with small angle-bracket
14	703.00.00.200	Parquet laying tool ZUGEISEN with broad angle-bracket
15	000.01.65.010	Residual-current safety plug